

LIGHTS



from the brightest name in lights... **JUSTRITE®**

Justrite Light-Stick Flashlight

Widely used in industry, by utilities, by sportsmen and in military applications. The Light-Stick throws a superpowerful 4000-foot-candle beam that is 2-2/3 times as bright as conventional 2-cell flashlights. Focusing 2-1/2-in. reflector gives a narrow spot beam or can flood a wider area. Prefocused model gives constant, concentrated beam. Handy belt clip and 90 degree adjustable head free both hands, put light where you need it.

In two models:

No. 2105-4 (shown) with focusing reflector and No. 27 bulb
No. 2301-3 with prefocus bulb No. 13 for concentrated "spot" beam.

Features

- More power—6 volt
- More capacity—4 cell
- 90-degree swivel head
- Focusing or prefocused reflectors
- Protected lens
- Positive switch
- Compact, standup case
- Big belt clip
- Fold-out carrying/hanging ring
- 24-gage electrogalvanized steel case
- Chip-proof finish
- Spare bulb compartment

Specifications

- 9 x 2-7/8 x 1-7/8 in.
- 2-1/2-in. reflector
- 1 lb
- Uses 4 size D batteries (not included)



Performance comparison (for Model 2105-4)

RATING	Conventional 2-cell Flashlight (PR-2 Bulb)	Justrite LIGHT-STICK (Bulb No. 27)	The Difference
CANDLE POWER Beam rating in foot-candles	1500 ft-candles	4000 ft-candles	167% more power
BURNING TIME Life of one set of batteries based on "15 min on, 45 min off per day" test.	2.8 hours	7 hours	150% longer battery life

Electric Head Lanterns

For lots of light and comfortable, "both hands free" mobility, these Justrite electric head lanterns are the answer. Two styles available, both with 6-volt power using 4 size D battery cells. Focusing reflector model adjusts to piercing beam or wider light. Prefocused model gives constant concentrated beam. Both styles come with 4-ft insulated cord, corrosion-proof polypropylene battery case with belt hook, adjustable 1-in. wide elastic head band.

Available without battery case for use with screw terminal lantern batteries or other 6-volt battery power packs. Special terminals on 4-ft cord permit quick connections.

No. 1904-0 Focusing 2-1/2-in. reflector model with battery case (less batteries). 1 lb

No. 1904-2 Without battery case. 1/2 lb

No. 1904-3 (shown) Prefocused 2-1/2 in. reflector model with battery case (less batteries). 1 lb

No. 1903-2 Without battery case. 1/2 lb

Part No. 20182 Flat hook adapter: to use headlight on hardhat lamp bracket.



Easy-loading hinged case

3-1/2-in. belt hook with hanging slot

Red-N-White Penlights

Justrite military type penlight gives bright white or filtered red light with the flick of a switch. Operates on two standard AA size penlight batteries. Aluminum construction with handsome chromate finish.

Meets or exceeds...
military std 21998 FLASHLIGHT, PENLIGHT TYPE, PILOTS. Specification MIL-F-7326 E

Model P/N 1730-8
With adjustable lanyard..... FSN 6230-223-4547

Model P/N 1703-6
Without lanyard..... FSN 6230-171-3362



Justrite Carbide Lamps

Carbide solid fuel—Ordinarily inert, calcium carbide crystals when mixed with water will generate acetylene, a flammable gas which burns with a brilliant white light. Justrite Carbide Lamps are dual compartment devices, equipped with a water control valve, burner tip and a highly polished reflector. Flame size is controlled by the water control valve which regulates the rate at which gas is produced. Reflectors have integral flint lighter attachment and are interchangeable—7-in. dia for stronger spot beam; 4-in. dia for broader beam.

Heavy-duty hand lamps and head lamps

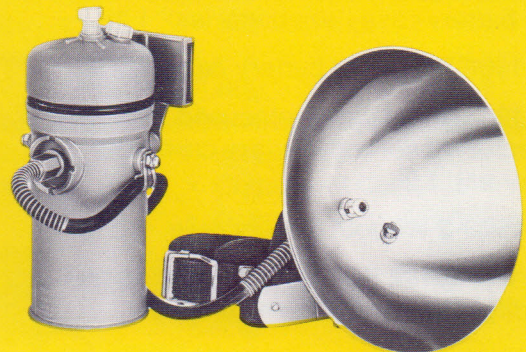
Burn 6 to 7 hours on one filling of carbide and water. Heavy-duty design with corrosion-proof, heavy-walled polypropylene body and inset polyethylene water compartment. Equipped with Jewel burner tip and flame protector. Hand lamps have 4-in. back handle and large bail for hanging or carrying. Head lamps have adjustable head band and sturdy 4-ft rubber hose; generator unit clips to belt.

Mini hand lamps and cap lamps

Compact and lightweight, these mini carbide lamps burn 3 to 4 hours on one filling. Design and construction same as heavy-duty models. Available with back handle or either round hooks (for lamp caps or brackets) or flat hooks (for all makes of hardhat lamp brackets or various other brackets).

Model No.	Reflector dia	Body ht & dia	Boxed singly in 12 pk ctn lbs per ctn	Attachment style
Heavy-duty hand lamps				
3-204	4"	7" x 3-1/4"	18	Handle
3-207	7"	7" x 3-1/4"	23	Handle
Heavy-duty head lamps				
3-404	4"	7" x 3-1/4"	18	Headstrap
3-407	7"	7" x 3-1/4"	23	Headstrap
Mini cap lamps				
3-302	2-1/2"	5-1/8" x 2-1/4"	12	Round hook*
3-304	4"	5-1/8" x 2-1/4"	15	Round hook*
3-307	7"	5-1/8" x 2-1/4"	23	Round hook*
3-312	2-1/2"	5-1/8" x 2-1/4"	12	Flat hook*
3-314	4"	5-1/8" x 2-1/4"	15	Flat hook*
Mini hand lamps				
3-354	4"	5-1/8" x 2-1/4"	15	Handle
3-357	7"	5-1/8" x 2-1/4"	12	Handle

*Round hooks fit lamp caps or brackets; flat hooks fit all makes of hardhat lamp brackets.



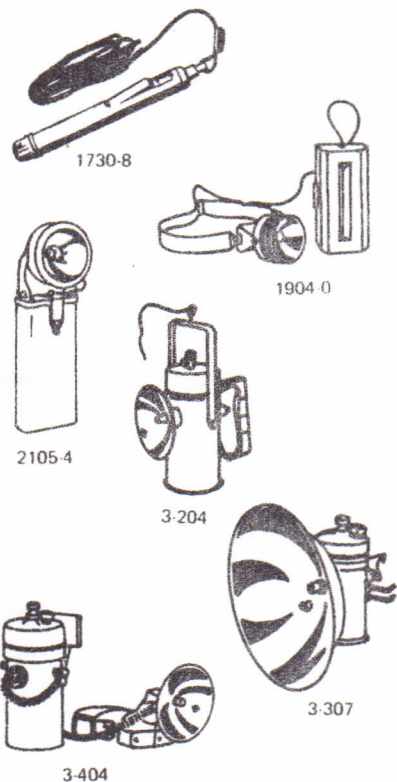
Supplies	
No.	Description
See complete listing of supplies and accessories in price list.	
5-007	Carbide, 100 pound drum
5-012	Carbide, 2 pound can
For cap and mini lamps	
5-244	Canvas cap for round hook lamps—adjustable.
5-372	Lamp bracket only, fastens to ordinary hat or "hardhat" (fasteners included) holds round or flat hook lamps.
5-703	3-piece "hooks & handle set." Interchangeable round hook, flat hook and handle. Fits all cap and mini lamps.

Justrite Manufacturing Co.

2061 North Southport Ave., Chicago, IL 60614 • 312/348-2111

JUSTRITE® lights

PRICE LIST NO. 770
EFFECTIVE NOV. 1, 1976
REPLACES NO. 765
DATED 5-3-76



Model No.	Description	Pk. Carton	Wt. Carton	Price ea.
1730-6	Penlight-Military type	100	11	5.15
1730-8	Penlight-same-w/lanyard	100	12	5.50
1903-2	Headlamp Assy. Prefocus	12	6	7.95
1904-0	Headlamp-4 Cell Focusing type	12	10	11.20
1904-2	Headlamp Assy. Focusing type	12	6	7.65
1904-3	Head Lantern-4 Cell Prefocus	12	12	11.50
2105-4	Light-stick Flashlight	12	11	14.95
2106-7	Military Wall Lantern	1	1	18.15
3-104	Carbide Sport Lamp 4" Refl.	12	18	10.45
3-107	Carbide Sport Lamp 7" Refl.	12	23	13.35
3-204	Carbide Handlamp 4" Refl.	12	18	15.65
3-207	Carbide Handlamp 7" Refl.	12	23	19.10
3-302	Carbide Cap Lamp "R" HK, 2½" Refl.	24	12	9.60
3-304	Carbide Cap Lamp "R" HK, 4" Refl.	24	15	10.15
3-307	Carbide Cap Lamp "R" HK, 7" Refl.	24	23	13.15
3-312	Carbide Cap Lamp "F" HK, 2½" Refl.	24	12	10.00
3-314	Carbide Cap Lamp "F" HK, 4" Refl.	24	15	10.40
3-354	Carbide Mini Lamp 4" Refl.	24	16	10.40
3-357	Carbide Mini Lamp 7" Refl.	12	12	13.15
3-404	Carbide Head Lamp 4" Refl.	12	18	20.10
3-407	Carbide Head Lamp 7" Refl.	12	23	23.85

CARBIDE (CALCIUM CARBIDE) IN CANS OR DRUMS

Part No.	Description	Price ea.	Part No.	Description	Price ea.
5-007	Carbide—100 lbs. in drum (Ship. Wgt. 109 lbs.)	63.80	5-012	Carbide—2 lbs. in can (Packed 24 cans in Ship. carton, Wgt. 58 lbs)	4.25

PARTS & ACCESSORIES FOR CARBIDE LAMPS

5-016	Repair kit—for cap & mini lamps	3.95	5-323	Plate for felt Nos. 3-204, 3-207, 3-404, 3-407	.68
5-020	Can for carrying carbide	1.62	* 5-325	Felt filter Nos. 3-204, 3-207, 3-404, 3-407	.48
* 5-037	Tip cleaner—sliding cover	1.44	5-326	Control stem—Nos. 3-240, 3-207, 3-404, 3-407	1.40
* 5-128	"Jewel" burner tip *	.33	5-330	Felt Retn. wire for 3-300 series	.17
5-136	7" Reflector w/lighter	8.45	* 5-332	Gasket for 3-300 series	.70
* 5-172	Flint—one in capsule	.22	5-333	Plate for felt 3-300 series	.70
* 5-173	Spring for lighter	.22	* 5-335	Felt filter for 3-300 series	.48
* 5-174	Screw cap for lighter	.22	5-336	Control stem for 3-300 series	1.40
* 5-175	Sparker wheel for lighter	.35	5-372	Lamp bracket—for all cap lamps	1.45
* 5-177	Lighter complete	1.40	5-602	2½" Reflector—w/lighter	2.95
* 5-180	Flame protector	.36	5-604	4" Reflector—w/lighter	2.95
* 5-182	Hex. nut for lighter	.17	5-703	Hooks & Handle Set (3 pieces)	3.35
* 5-197	Nut to hold reflector	.36	5-705	Flat hooks—fits all cap & mini lamps	1.45
5-244	Canvas cap (adjustable) for R-Hook Lamps	5.75	5-706	Round hook—fits all cap & mini lamps	1.05
5-248	Reamer for burner tips	.36	5-707	Back Handle—fits all cap & mini lamps	.88
5-304	Burner cap for Nos. 3-104, 3-107	2.30	5-743	Special Burner Tube	1.80
5-306	Control stem for Nos. 3-104, 3-107	1.38	5-801	Generator	16.25
* 5-309	Water plug (cap), for all models	.20	5-804	Headstrap (adjustable) Nos. 3-404, 3-407	3.40
* 5-311	Filter—Nos. 3-104, 3-107	.26	5-808	Rubber Hose—w/springs	2.20
* 5-312	Gasket for Nos. 3-104, 3-107	1.00			
5-320	Felt Rtn. wire—Nos. 3-204, 3-404, 3-407	.17			
* 5-322	Gasket—Nos. 3-204, 3-207, 3-304, 3-407	.75			

NOTE: Parts marked (*) are available only in sealed packages of 12.